

# SOLTAIRE 250

## TOP HUNG STRAIGHT SLIDING DOOR SYSTEM FOR DOORS UP TO 250kg EACH

### APPLICATIONS

- ▶ Manufactured from high grade 316 stainless steel within anodised aluminium track.
- ▶ This reliable system is extremely durable and ideal for coastal applications or heavy use.
- ▶ Ideal for areas requiring a high level of corrosion resistance.
- ▶ Designed for interior and exterior doors up to 250 kg.
- ▶ Ideal for residential or commercial applications.
- ▶ Designed to accommodate multiple doors which can slide to either side or all to the same side.
- ▶ Hangers available for timber or metal doors.
- ▶ The track can be soffit fixed or face fixed to give flexibility of installation.

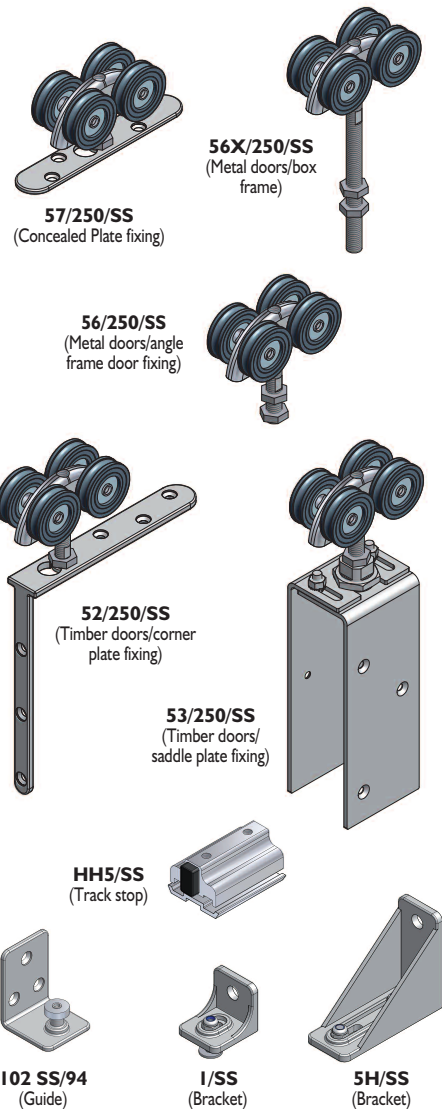
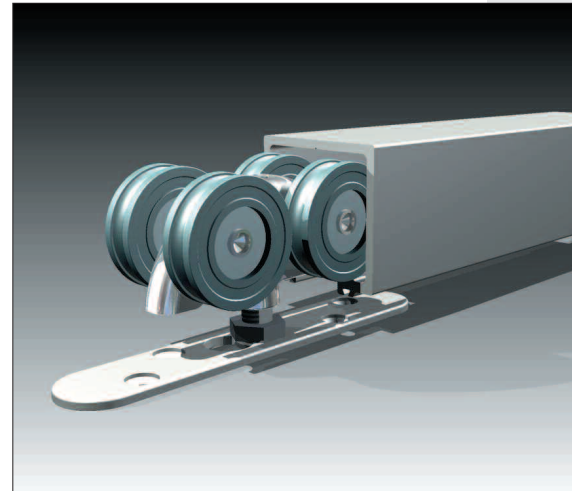
### DOOR SPECIFICATION

Maximum panel weight	250 kg
Maximum panel thickness	48mm
Minimum panel thickness	35mm
Maximum panel height	3300mm

### GEAR SPECIFICATION

<b>Track</b>	Anodised aluminium (25 microns) available in lengths <i>Soffit fix spacing 900mm centres (maximum)</i>	250/2000, 250/2500, 250/3000, 250/4000, 250/5000 & 250/6000
<b>Brush strips</b>	Available in black in 4 brush heights, by the metre	BS10, BS15, BS20, BS25(mm)
<b>Brackets</b>	Face fixed stainless steel Double face fixed stainless steel bracket (heavy) <i>Starting 20mm from end of track fix at 900mm centres (maximum)</i>	1/SS 5H/SS
<b>Hangers</b>	2 required per door Timber doors - corner plate fixing - saddle plate fixing - (concealed) plate fixing Metal doors - angle frame door fixing - box frame fixing - (concealed) plate fixing	52/250/SS 53/250/SS 57/250/SS 56/250/SS 56X/250/SS 57/250/SS
<b>Guides</b>	Timber doors - (concealed) fixing with SS bearing - wall mounted guide - for multiple runs of doors use Metal doors - box section metal door - angle frame guide	106H SS/94 102 SS/94 102 SS/94 104 PX/89 104 P/89
<b>Channels</b>	Aluminum (2000, 2500, 3000 & 6000mm) Stainless steel (3000mm length only) Brass (1500mm and 3000mm length only) Galvanised steel (1800, 2000, 2500 & 3000mm) Polypropylene channel Aluminum supporting channel for polypropylene <i>- Can be used with 97 galvanised steel channel for heavier doors</i>	94X 89SS 94 89 94P 94SC

**Track Stop** HH5/SS



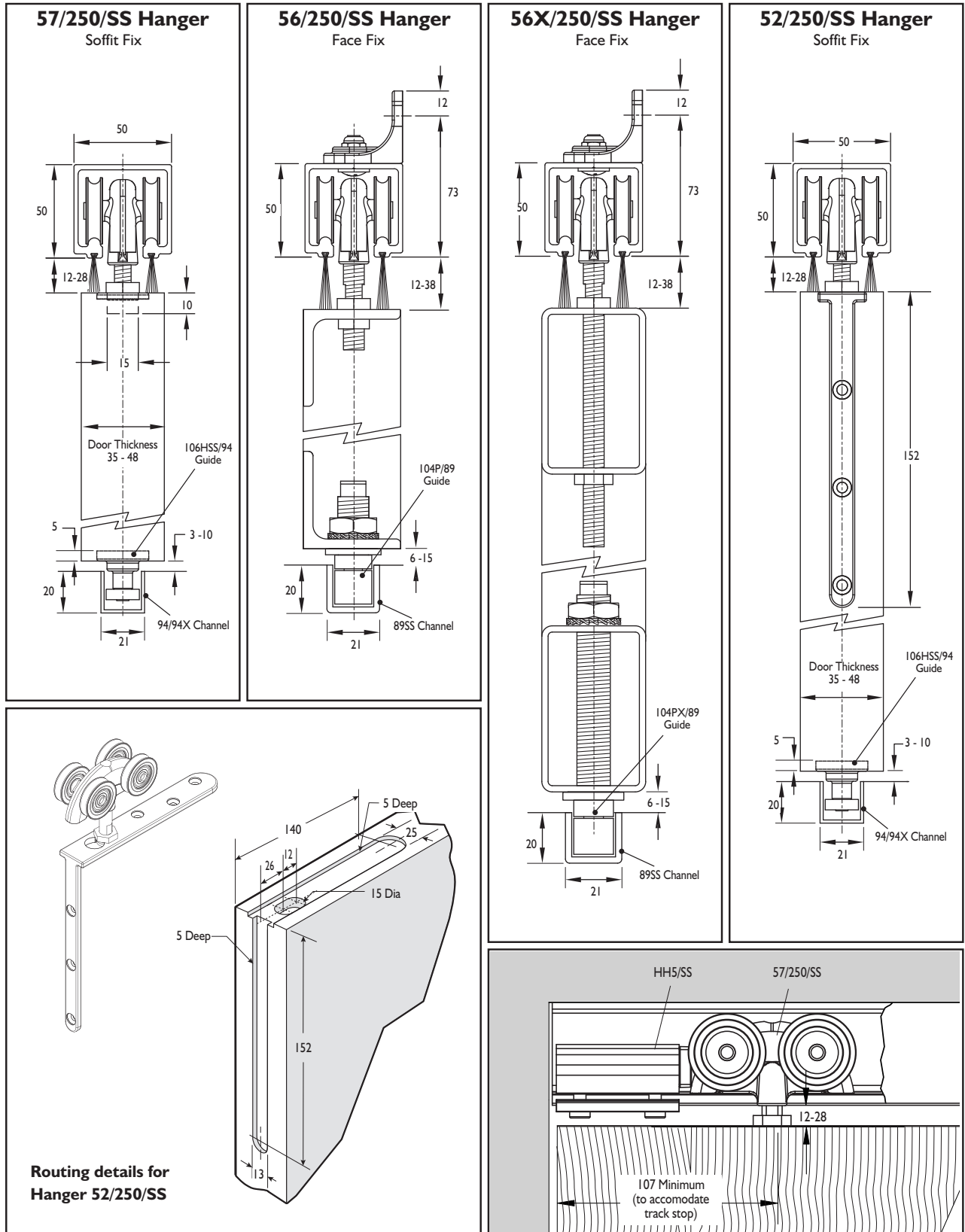
**106H SS/94**  
(Guide)

**102 SS/94**  
(Guide)

**1/SS**  
(Bracket)

**5H/SS**  
(Bracket)

# SOLTAIRE 250



**HENDERSON**

P C Henderson Limited, Durham Road, Bowburn, County Durham DH6 5NG, UK. Web: [www.pchenderson.com](http://www.pchenderson.com)  
 UK Customer Services Department: Tel: +44 (0)191 377 7345 Fax: +44 (0)191 377 3116 Email: [sales@pchenderson.com](mailto:sales@pchenderson.com)  
 Export Department: Tel: +44 (0)191 377 7346 Fax: +44 (0)191 377 0755. Email: [international@pchenderson.com](mailto:international@pchenderson.com),  
 For all technical queries email our Technical Department: [technical@pchenderson.com](mailto:technical@pchenderson.com)